

LEFT TURN MARKING DETAIL
NO SCALE

TYPICAL PAVEMENT MARKING SPACING
NO SCALE

POB (RIDGE ROAD)
STA 1157+37.05

REMOVE SIGN AND TURN OVER
TO OWNER AT #6205 RIDGE RD

12" S.Y. CROSS HATCH @
15' SPACING & 45° ANGLE

D3-1 (HANFORD) (36" X 12")
(RIDGE) (24" X 12")
R1-1 (36")

W2-1
W16-8P (HANFORD RD) (48"x12")

D3-1 (ANNANDALE) (42" X 12")
(RIDGE) (24" X 12")
R1-1 (36")

12" S.Y. CROSS HATCH @
15' SPACING & 45° ANGLE

CONTACT WAYNE COUNTY TRAFFIC OFFICE AT 734-955-2154
PRIOR TO PLACING FINAL PAVEMENT MARKINGS FOR APPROVAL.

NOTE:

1. ALL SIGNAGE SHALL BE IN CONFORMANCE WITH THE MOST CURRENT VERSION OF THE MICHIGAN MANUAL OF UNIFORM TRAFFIC CONTROL DEVICES.
2. THE REMOVAL AND RELOCATION OF EXISTING SIGNS AND POSTS ARE INCLUDED IN THE NEW SIGN INSTALLATION PAY ITEM.
3. REMOVE ALL EXISTING TRAFFIC SIGNS IN THE WAYNE COUNTY R/W ON RIDGE ROAD WITHIN LIMITS OF THE PROJECT EXCEPT WHERE DESIGNATED. RETAIN ALL SIGNS NOT SHOWN TO BE REPLACED.
4. REMOVE ANY EXISTING PAVEMENT MARKINGS WHICH ARE IN CONFLICT WITH THE PROPOSED PAVEMENT MARKINGS.

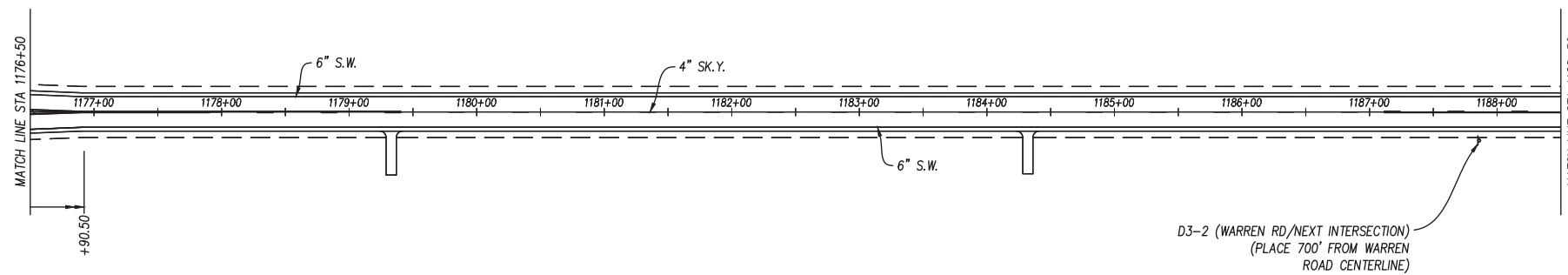
PAVT MARKING LEGEND	
	PERMANENT SIGNING
D.S.Y.	DOUBLE SOLID YELLOW
SK.W.	SKIP WHITE
S.W.	SOLID WHITE
SK.Y.	SKIP YELLOW
S.Y.	SOLID YELLOW

REVISIONS	DRAWN BY	CHECKED BY	DATE	CORRECT
			10/18/2019	ASSISTANT DIVISION DESIGN ENGINEER
				APPROVED
				DIVISION DESIGN ENGINEER

WAYNE COUNTY DEPARTMENT OF PUBLIC SERVICES
ENGINEERING DIVISION

RIDGE ROAD GRADE ESTABLISHMENT
RIDGE ROAD STA 1157+37 TO STA 1176+50
PAVEMENT MARKING & PERMANENT SIGNING PLAN

COUNTY PROJECT	47016	SCALE	1"=60'
ISSUE NO.	1	SHEET NO.	26
DATE	07/19/19		

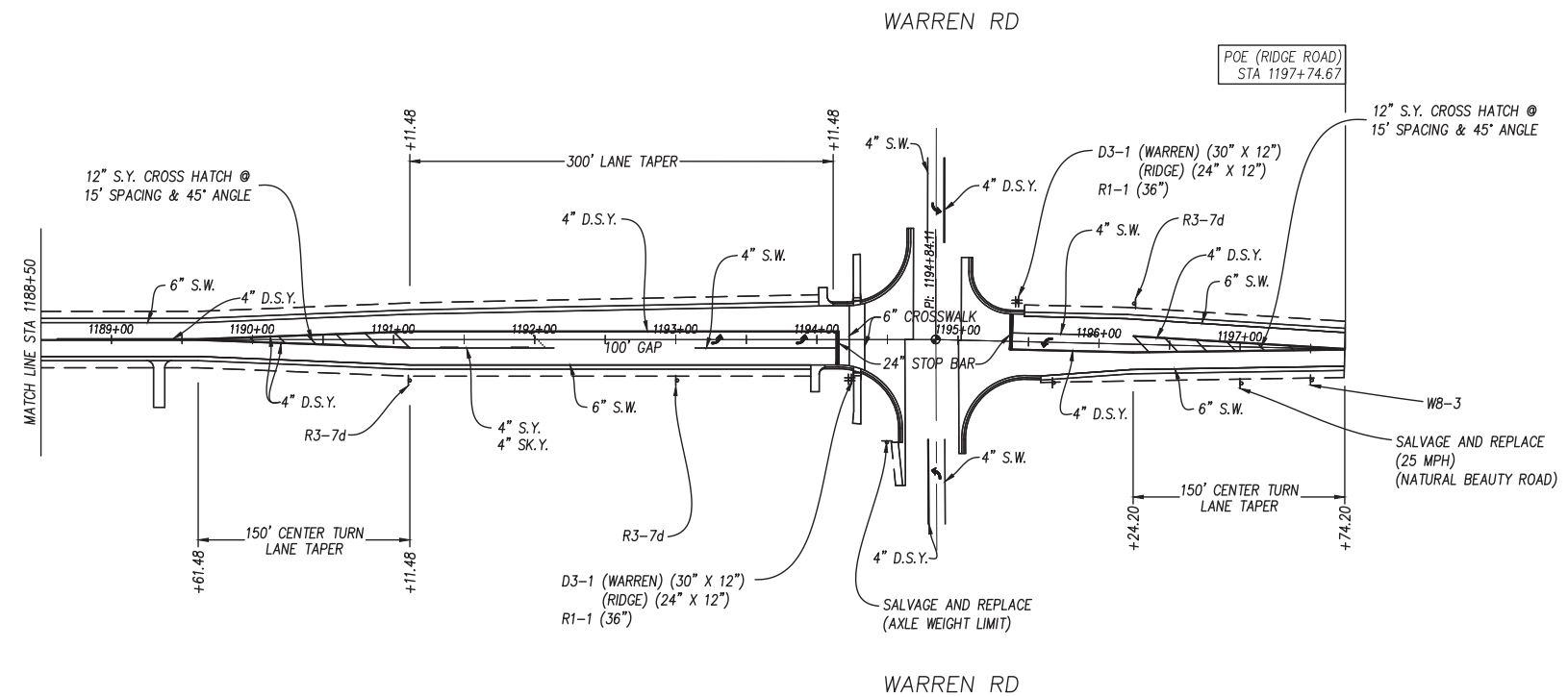


PAVEMENT MARKING QUANTITIES		
ITEM	QTY	UNIT
PAVT MRKG, SPRAYABLE THERMOPL, 4 INCH, WHITE	995	FT
PAVT MRKG, SPRAYABLE THERMOPL, 6 INCH, WHITE	6816	FT
PAVT MRKG, SPRAYABLE THERMOPL, 4 INCH, YELLOW	9960	FT
PAVT MRKG, OVLY COLD PLAST, 12 INCH, CROSS HATCHING, YELLOW	290	EA
PAVT MRKG, OVLY COLD PLAST, 24 INCH, STOP BAR	50	EA
PAVT MRKG, OVLY COLD PLAST, 6 INCH, CROSSWALK	100	EA
PAVT MRKG, OVLY COLD PLAST, LT TURN ARROW SYMB	9	EA
PAVT MRKG, OVLY COLD PLAST, ONLY	9	EA

MISC SIGN, TYPE B, PERM					
SIGN	LEGEND	SIZE	QTY.	TOTAL (SFT)	POST PER LOCATION
D3-1	Annandale	42"x12"	1x2	7	2
D3-1	Ridge	24"x12"	6x2	24	2
D3-1	Hanford	36"x12"	2x2	12	2
D3-1	Warren	30"x12"	2x2	10	2
D3-1	Kennesaw	42"x12"	1x2	7	2
D3-2	Ridge Rd	30"x18"	2	7.5	2
D3-2	Warren Rd/Next Intersection	96"x30"	1	20	2
OM-3L	Left Diagonal Stripes	12"x36"	2	6	1
R1-1	Stop	36"x36"	6	54	2
R3-7d	Lane Use Sign	36"x30"	5	37.5	2
R4-1	Do Not Pass	24"x30"	2	10	1
R4-2	Pass With Care	24"x30"	2	10	1
R4-7	Keep Right	24"x30"	2	10	1
W2-1	Cross Road	36"x36"	2	18	2
W8-3	Pavement Ends	36"x36"	2	18	2
W14-3	No Passing Zone	48"x36"	2	24	2
W16-8P	HANFORD RD	48"x12"	2	8	2
W16-8P	RIDGE RD	48"x12"	4	16	2
TOTAL			299	SFT	-> 300 SFT

OTHER SIGNING QUANTITIES

ITEM	QUANTITY	UNIT
SIGN, TYPE III, ERECT, SALV	2	EA



CONTACT WAYNE COUNTY TRAFFIC OFFICE AT 734-955-2154 PRIOR TO PLACING FINAL PAVEMENT MARKINGS FOR APPROVAL.

NOTE:

- ALL SIGNAGE SHALL BE IN CONFORMANCE WITH THE MOST CURRENT VERSION OF THE MICHIGAN MANUAL OF UNIFORM TRAFFIC CONTROL DEVICES.
- THE REMOVAL AND RELOCATION OF EXISTING SIGNS AND POSTS ARE INCLUDED IN THE NEW SIGN INSTALLATION PAY ITEM.
- REMOVE ALL EXISTING TRAFFIC SIGNS IN THE WAYNE COUNTY R/W ON RIDGE ROAD WITHIN LIMITS OF THE PROJECT EXCEPT WHERE DESIGNATED. RETAIN ALL SIGNS NOT SHOWN TO BE REPLACED.
- REMOVE ANY EXISTING PAVEMENT MARKINGS WHICH ARE IN CONFLICT WITH THE PROPOSED PAVEMENT MARKINGS.

PAVT MARKING LEGEND	
	PERMANENT SIGNING
	DOUBLE SOLID YELLOW
	SKIP WHITE
	SOLID WHITE
	SKIP YELLOW
	SOLID YELLOW

REVISIONS	DRAWN BY	CHECKED BY	DATE	CORRECT
			10/18/2019	ASSISTANT DIVISION DESIGN ENGINEER
				APPROVED
				DIVISION DESIGN ENGINEER

WAYNE COUNTY DEPARTMENT OF PUBLIC SERVICES
ENGINEERING DIVISION

RIDGE ROAD GRADE ESTABLISHMENT
RIDGE ROAD STA 1176+50 TO STA 1197+75
PAVEMENT MARKING & PERMANENT SIGNING PLAN

COUNTY PROJECT	SCALE
47016	1"=60'
ISSUE NO. 1	SHEET NO. 27
DATE 07/19/19	